

STOLL



NEU!

- 1026 R
- 2026/2036 R (in preparation)
- 3036/3038 E
- 3033/3038/3045 R
- 4049/4066 M+R

STOLL CompactLine



Diversity for John Deere.
The crucial difference.

John Deere + CompactLine: The perfect combination.

STOLL fits all!

Mount it, get started and experience the full force.

The STOLL CompactLine impresses with top marks in all areas:

- **Range for all challenges:**

no trickle loss when scooping thanks to the optimal tipping angle

- **Swivel-in system:**

quick and easy attachment and detachment

- **Double-action loader cylinders:**

highest performance in terms of lifting capacity

- **Practical accessories:**

3rd Control circuit, Comfort Drive and anti-lowering guard

- **Easy operation:**

best comfort for the driver with the display for tool angle

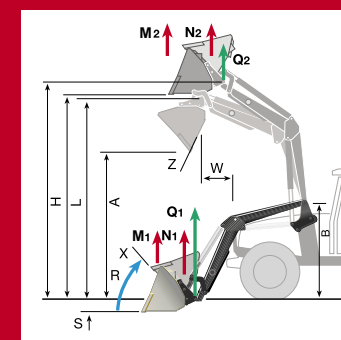


**Your ideal loaders from our extensive range.
Patented, assured investment
and successful!**



FC CompactLine			FC 150			FC 250		FC 350		FC 450		FC 550				
Type			L	P	H	P	H	P	H	P	H	P	H			
Suitable for tractors with kW/hp		kW hp	11-18 15-25			15-26 20-35		18-37 25-50		26-40 35-55		29-44 40-60				
Weight of the tractor		kg	700-1000			800-1300		1,100-1,600		1,500-2,000		1,800-2,300				
Lifting capacity in the pivot point of the implement	below above	Q1 Q2	435 350			640 * 540		950 * 790		970 * 920		1,170 * 1,120				
Lifting force (blade) 300 mm before the pivot point	below above	N1 N2	335 265	390 310	335 265	570 480	510 420	850 710	760 630	870 820	800 740	1,050 1,010	980 910			
Lifting force (pallet) 700 mm before the pivot point	below above	M1 M2	260 200	365 295	260 200	540 450	410 330	800 670	610 490	820 780	650 590	990 950	810 730			
Breakout force 750 mm before the pivot		R	370	560	590	850	600	960	960	1,010	920	1,430				
Max. lifting height in the implement's		H	2000			2,290		2,435		2,590		2,800				
Overhead loading height		L	1875	1845	1845	2,130		2,275	2,260	2,425		2,630				
Dump height		A	1,640	1,340	1,400	1,510	1,580	1,655	1,670	1,805	1,840	2,020				
Dump width		W	500	220	440	250	550	250	350	300	550	500				
Digging depth		S	50	75	75	85		105		110		120				
Pivot point of lifting arms		B	998			1,196		1,196		1,216		1,276				
Tilt angle	below	X	° de-	25	48	37	40	39	38		41		41			
Dump angle	above	Z	° de-	29	71	50	80	53	74	65	74	50	70			
Pump output rate			l/min.			15		20		25		30				
Stroke time			sec.			2.5		2.7		3.4		3.3				
Tilting time, implement	below		sec.			1.1	1.4	1.2	1.5	1.1	1.1	1.3	1.1			
Dumping time, implement	above		sec.			1.7	2.0	1.8	2.1	1.7	1.6	2.0	1.8			
Weight, lifting arms without implement			kg			105	165	145	205	185	230	210	270	250	290	270

The values given are averages. Depending on the type of tractor, these values may deviate up or down. The hydraulic pressure is at 140 bar for the FC 150, and at 170 bar for all other front loaders * Work with the front loader may only be carried out if there is a suitable rear weight in place due to the risk of the tractor tipping.



Wilhelm STOLL Maschinenfabrik GmbH
 Bahnhofstr. 21 | 38268 Lengede
 Phone: +49 (0) 53 44 / 20-0
 Fax: +49 (0) 53 44 / 20-182

www.stoll-germany.com